

Servo Ribbon Applicator SRA Valve

Integrated Servo Motor and Ribbon Dispense Valve



Servo Ribbon Applicator Dispense Valve Assembly

- ▶ The servo motor rotates the dispense tip without rotating the valve for ease of programming and increased dispense hose, air tubing and electric cable life
- ▶ Motor and dispense valve are integrated into a single module for compact mounting applications
- ▶ Integrated linear servo motor package provides precise tip positioning and smooth motion for accurate bead placement and material dispensing
- ▶ The integrated No-Drip® KISS dispense valve and ribbon tip wetted parts are designed for long life and ease of service
- ▶ Other dispense tips are available for streaming, extruding and spraying
- ▶ Components are designed-for-maintenance to provide long life for maximum up-time and fast and easy maintenance
- ▶ Light-weight components and compact design for robot EOA or pedestal mounting
- ▶ Point-of-application dispensing provides superior response time dispense control

Precision Metering Unit for Adhesive, Sealant and Mastic Materials

The SRA Servo Ribbon Applicator robotically applies uniform ribbon beads of single component sealants or adhesives. This applicator is used when directional control of the tip is required or when turning the dispense valve is a process issue. The servo-driven dispensing assembly provides the most accurate ribbon dispensing design available. This mechanically robust design uses closed-loop processing for electronic control of dispense tip position requirements. The motor and dispense valve divorced-design and seal selection is ideally suited to high speed dispensing applications with short dispense cycle times.

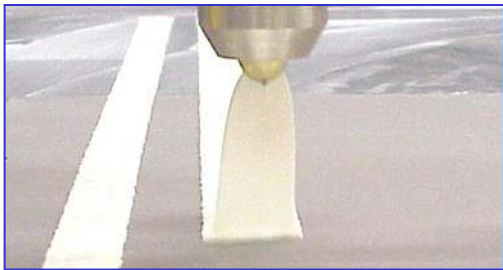
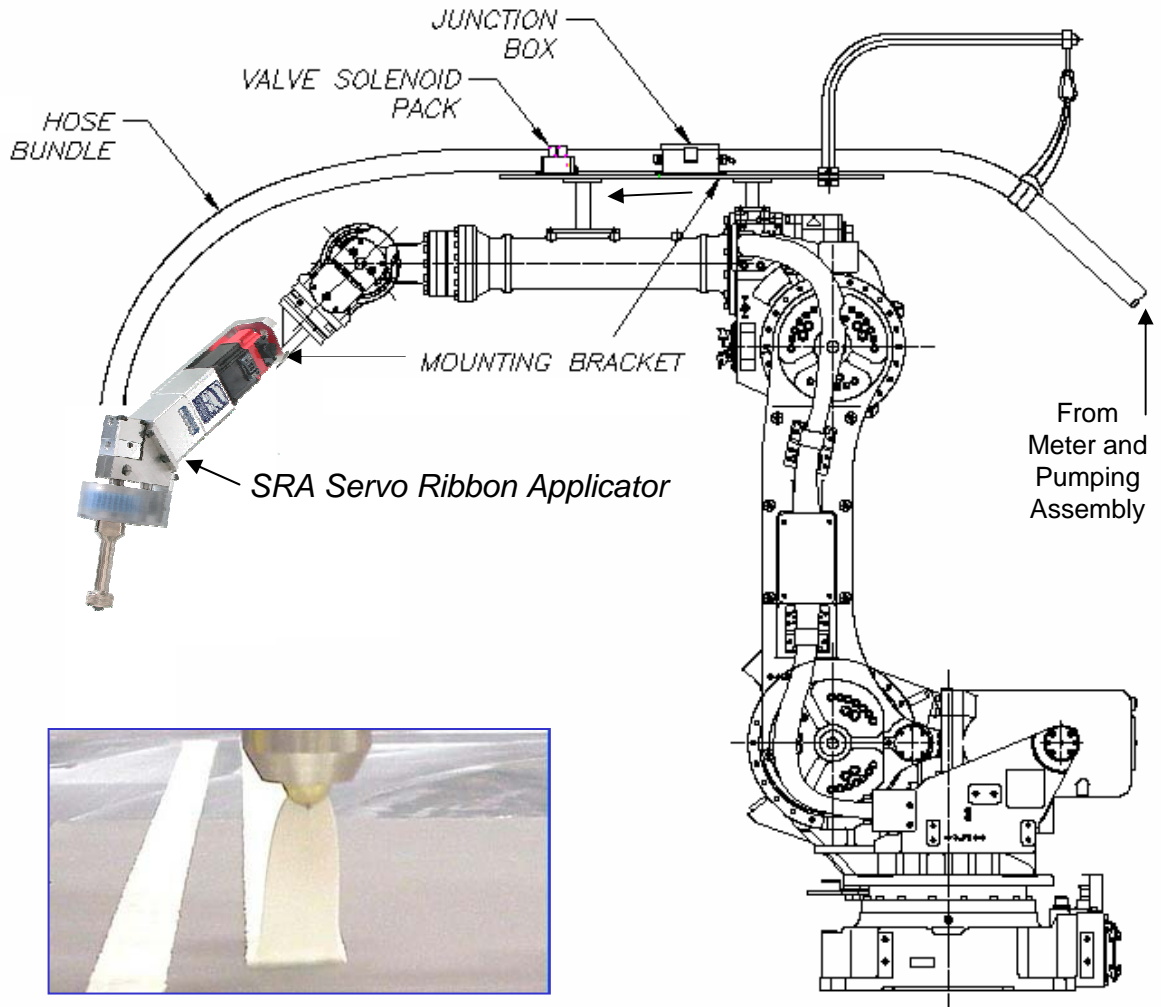
Typical Applications

- Robot integrated Paint Shop sealer ribbon dispensing systems
- Streaming, shaped extrusion, fan spray and high speed dispensing applications
- Robotic end-of-arm mounting requirements
- Pedestal mounting applications

Servo Ribbon Applicator Dispensing System



Robot End-Of-Arm Mounting Concept



Typical Ribbon Bead Pattern
Dispensing PVC Sealer



Manufacturers of Precision Dispense Systems & Valves

45677 Helm Street • P.O. Box 701460
Plymouth, MI 48170 • USA
Phone: (734) 459-8600 Fax: (734) 459-8686
Web: www.SealantEquipment.com
E-mail: sales@SealantEquipment.com